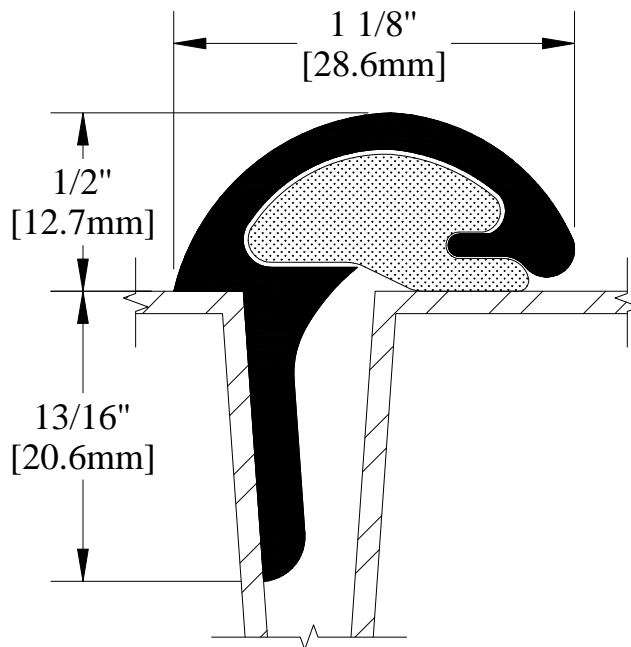


# Architectural **UNIQUE** ASTRAGALS

**Votre satisfaction, notre fierté!**



## Description:

NAME: CS2

MATERIAL: ALUMINIUM ALLOY 6063 T5

GASKETING: CLOSED CELL NEOPRENE

AVAILABLE FINISH: CLEAR ANODIZED ONLY

WIDTH: 1-1/8"

LENGTH: 7' and 8' ONLY