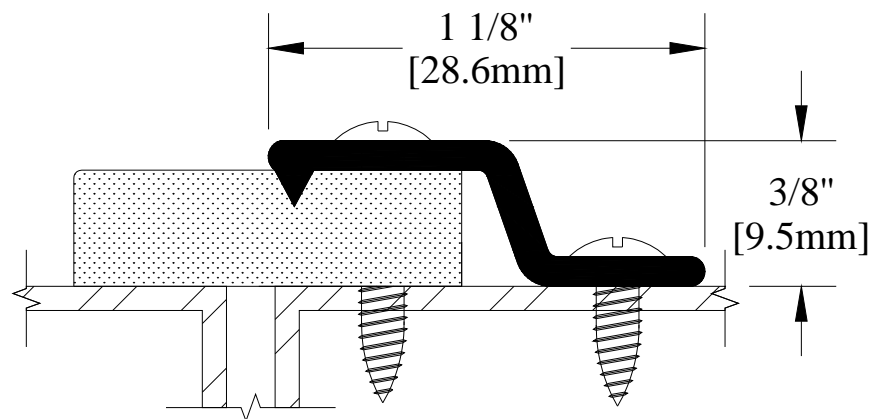


Architectural **UNIQUE** ASTRAGALS

Votre satisfaction, notre fierté!

REGISTRATIONS:



Description:

NAME: A14

MATERIAL: ALUMINIUM ALLOY 6063 T5

GASKETING: CLOSED CELL NEOPRENE

AVAILABLE FINISH: CLEAR ANODIZED OR MEDIUM BRONZE

WIDTH: 1-1/8"

LENGTH: MINIMUM 3' & MAXIMUM 12'