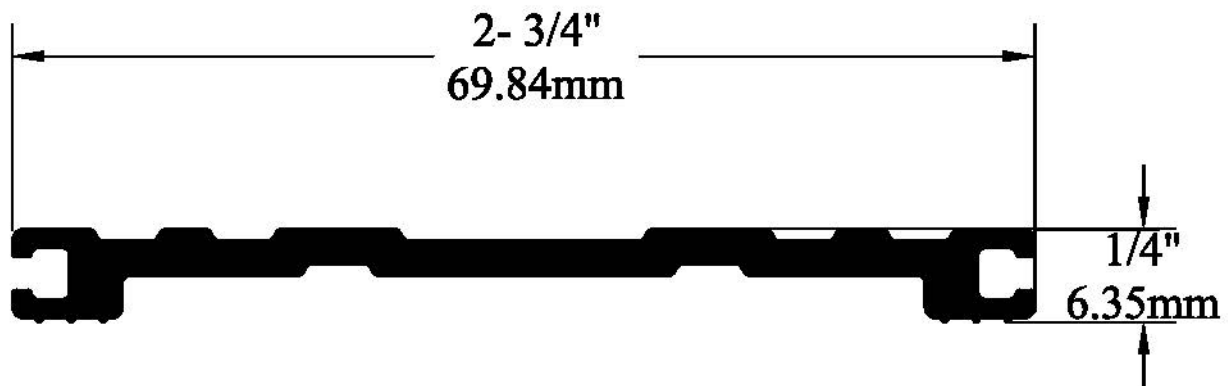


THRESHOLDS

BB SERIES

REGISTRATIONS:   



Description:

NAME: BB33

MATERIAL: ALUMINIUM ALLOY 6063 T5

AVAILABLE FINISH: MILL FINISH ONLY

WIDTH: 2-3/4"

LENGTH: 3', 42'', 4', 5', 6', 7', 8', 9', 10' & 12' CUT ONLY OR CUT, DRILLED AND SCREWS